

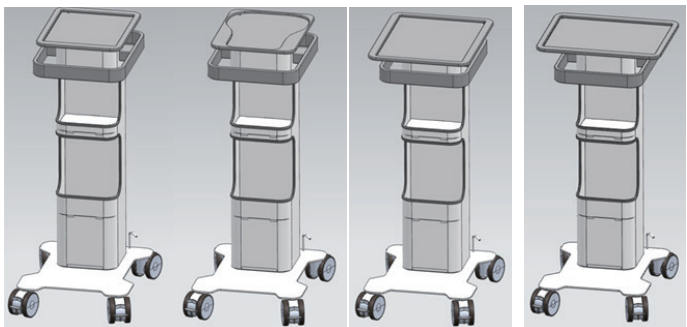
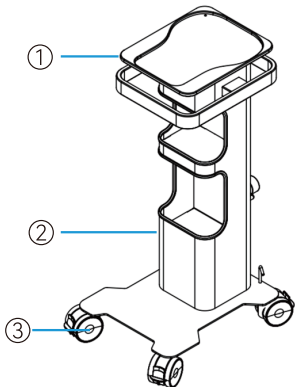
Dental Cart Installation manual

1. Product Information

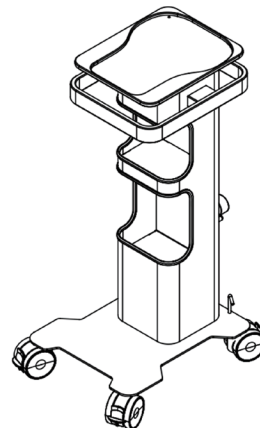
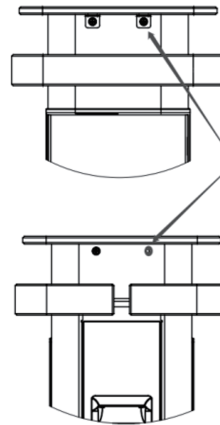
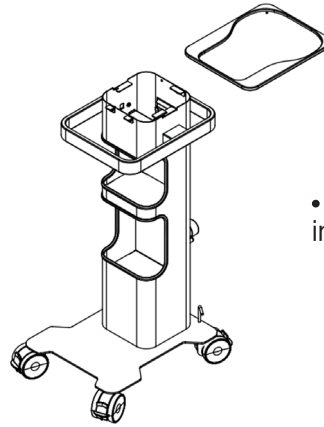
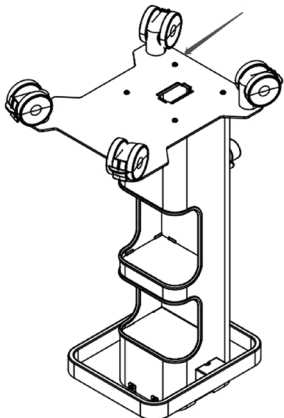
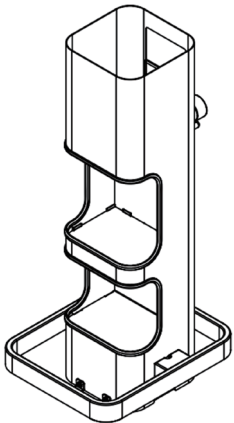
Product Name: Dental Cart

Product model: TC-6

2. Dental Cart composition



3. Installation of small Cart



4. Storage conditions:

Dental carts should be stored indoors in a well ventilated, moisture-proof, and corrosion-free environment.



Guilin Woodpecker Medical Instrument Co., Ltd.
Information Industrial Park, Guilin National High-Tech
Zone, Guilin, Guangxi, 541004 P. R. China

Tel:

Sales Dept.: 0773-5873196/ 2350599

After-sales Service Dept.: 0773-5827898/13978361362

Website: <http://www.glwoodpecker.com>

E-mail: woodpecker4@glwoodpecker.com

ZMN-SM-832 V1.0-20230705